

Allgemeine Hinweise

- Die Hinweise der Montage- und Betriebsanleitung sind vor der ersten Inbetriebnahme zu beachten.
- Bei fehlerhafter Installation erlischt der Garantieanspruch.
- Wartung oder Reparaturen an der Leuchte sind nur durch die Verolight AG oder einen autorisierten Service-Partner durchzuführen.

Sicherheitshinweise

- Die Installation darf nur durch Elektrofachkräfte erfolgen.
- Das Gerät ist bestimmungsgemäss und nur in einwandfreiem, unbeschädigtem Zustand zu betreiben.
- Für die Installation und den Betrieb des Geräts sind die nationalen Sicherheits- und Unfallverhütungsvorschriften zu beachten.



Entsorgungshinweise

- Die Leuchte kann an den Händler zurückgegeben werden oder ist gemäss den nationalen Bestimmungen zu entsorgen.

SERVICE (DRIVER REPLACEMENT)

The driver is replaceable.

a) Maximal screwdriver size

max. 6mm

b)

c)

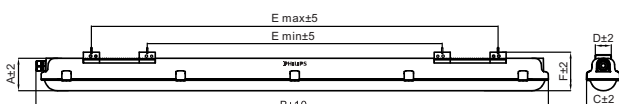
New driver

1.2Nm

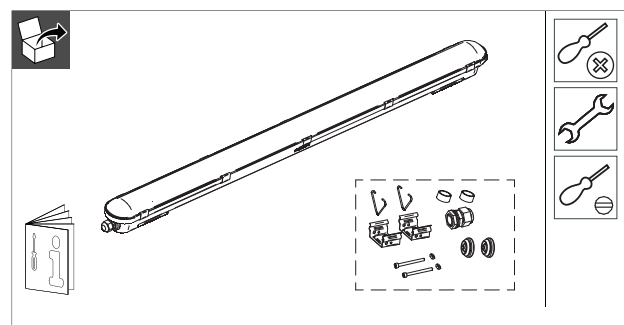
7

- Do not stare into LED light beam.
- The luminaire shall be installed by a qualified electrician and wired in accordance with the latest IEE electrical regulations or the national requirements.
- The light source contained in this luminaire shall only be replaced by the manufacturer or his service agent or a similar qualified person.
- Above average concentration of sulfur effects the useful lifetime of the product. E.g: Light color changes from white to blue. Typically in chicken & pig farms.
- For use in environments where an accumulation of conductive dust on the luminaire may be expected
- Do not install the luminaire on the location where it is exposed to heavily grease, esp. mineral oil and distillates (petroleum), heavy naphthenic treated with hydrogen.
- This product is not suitable for cold & humid storage areas, especially where obvious temperature gradients are present, such as ventilation opening, door, etc.
- Do not install the luminaire on locations where it is exposed to direct sunlight. UV radiation will damage the material over time resulting in loss of waterproof sealing and IP65 rating.

ATTENTION
OBSERVE PRECAUTIONS
FOR HANDLING
ELECTROSTATIC
SENSITIVE
DEVICES



Type	Dimension (mm)							Nr. of clips
	A	B	C	D	E min	E max	F	
WT120C G2 LED27_45S/840 PSU L1200	76	1215	80	38	538	1062	85	10
WT120C G2 LED37_60S/840 PSU L1500		1515			838	1362		



1

OPTIONAL ANTI-VANDAL MOUNTING

$E \pm 100\text{mm}$

x2

1Nm

wire suspension

1a

Vertical installation

a) x2

b) Do not tighten the nut x2

c) x2

d)

e) $E \pm 100\text{mm}$

f) mandatory!!! tighten the nut (antivandal) x2 1Nm

1b

a) x2

b) Do not tighten the nut x2

c) x2

d)

e) $E \pm 100\text{mm}$

f) mandatory!!! tighten the nut (antivandal) x2 1Nm

2

Switch off the power supply before installation

45

30 8

Ø 1.0-2.5mm²

Ø 8-12mm

2Nm

2a

Through Wiring /TW/ (optional)

Ø 20mm

(*) NYM cable is suitable for TW

2Nm

2b.1

Mid- or side - entry (optional)

Knock out for cable entry

Switch off the power supply before installation

45

30 8

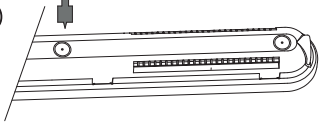
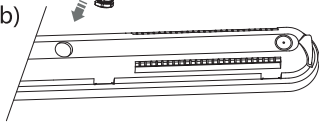
Ø 1.0-2.5mm²

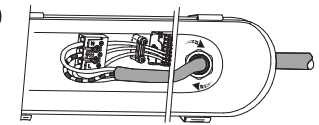
Ø 8-12mm

2Nm

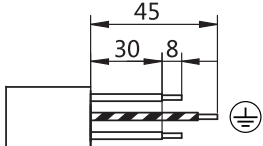
2b.2

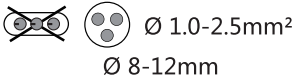
Knock out for cable entry




a)  b) 

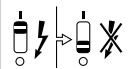
c)  d) Repeat 2b.1 d, e, f process

Switch off the power supply before installation



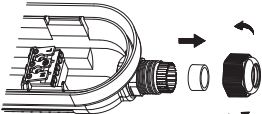
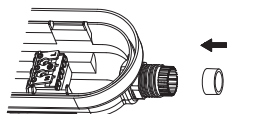


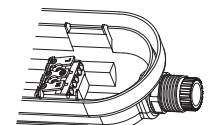
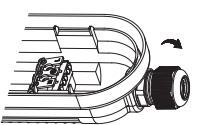
⚠️   





2c

Replacement of Silicone Plug(optional)

a)  b) New Silicone Plug 

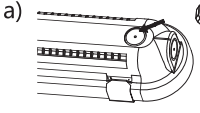
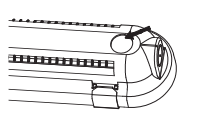
c)  d) 

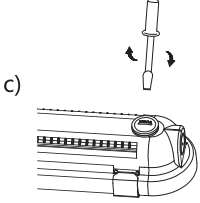
Ø 12-14mm

⚠️  

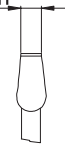
2d


Replacement of waterproof plug(optional)

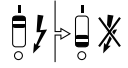
a)  b) 

c) 

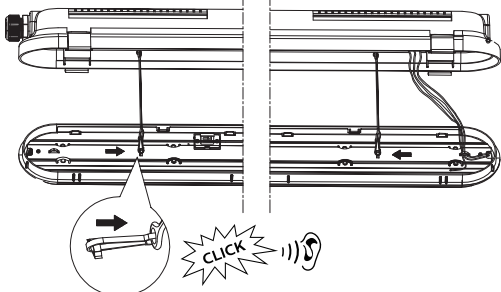
Minimal screwdriver size min. 6mm







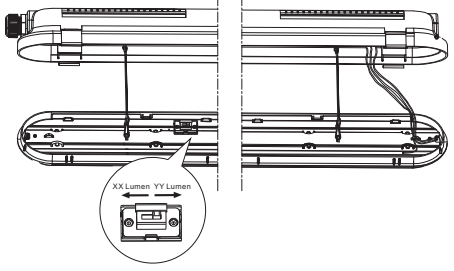
3



Use only optical sub-assembly that delivered with housing in one box!

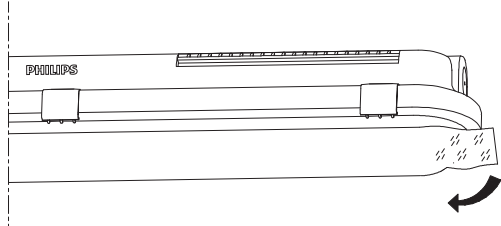
4

MultiLumen switch(2-in-1)- option
Please switch off the mains before changing the lumens



Product Type	XX Lumen	YY Lumen (factory setting)
LED27_45S	2700 Lumen	4500 Lumen
LED37_60S	3700 Lumen	6000 Lumen

5



6

